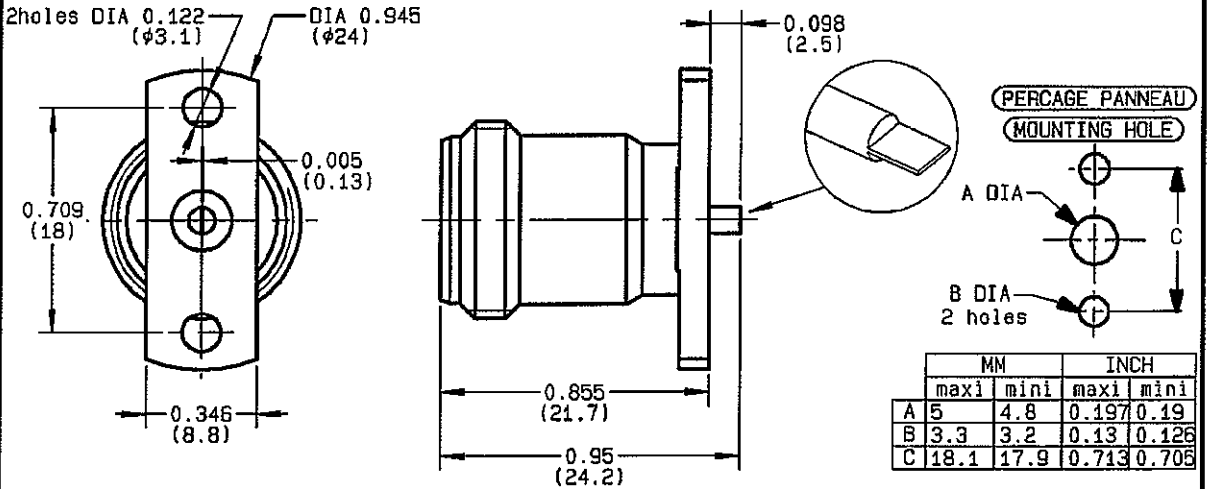


**2 HOLES FLANGE JACK RECEPTACLE
WITH TAB CONTACT**

R161.461.200
SERIES N



NOMINAL IMPEDANCE **50** Ω
 FREQUENCY RANGE **0-11** GHz
 TEMPERATURE RATING **-55/+155** °C
 V.S.W.R **1.04 + 0.035 x F(GHz)Maxi**
 RF INSERTION LOSS **0.06** \sqrt{F} (GHz) dB Maxi
 VOLTAGE RATING **1400** Veff Maxi
 DIELECTRIC WITHSTANDING VOLTAGE **2500** Veff Mini
 INSULATION RESISTANCE **5000** M Ω Mini
 HERMETIC SEAL **NA** Atm.cm³/s
 LEAKAGE (pressurized only) **NA**
 MECHANICAL DURABILITY **500** Cycles
 WEIGHT gr
 SPECIFICATION

CABLES :
 OTHERS CHARACTERISTICS
 CABLE RETENTION **NA** N Mini
 CENTER CONTACT RETENTION
 Axial force - mating end **27** N Mini
 Axial force - opposite end **27** N Mini
 Torque **NA** cm.N Mini
 RECOMMENDED TORQUES
 Mating **NA** cm.N
 Panel nut **NA** cm.N
 Clamp nut **NA** cm.N

CONNECTOR PARTS	MATERIALS	FINISH	(all values are given in micrometers)
BODY	BRASS	BBR 2	
OUTER CONTACT	BRASS	BBR 2	
CENTER CONTACT	BERYLLIUM COPPER	GOLD 0.5 OVER NICKEL 2	
INSULATOR	CROSS-LINKED STYRENE COPOLYMER		
GASKET			
OTHERS PIECES			

ISSUE **0523A01** CREATION DATE **15/01/1997** FILE PART-NUMBER **EPC 96-07**



Connect to the future

The information given here is subject to change without notice. Design changes may be in order to improve the product.

GUERTIN